



## KC-DALI-10V 【DT 5 to 0/1-10V Converter】

### Product Overview

- The KC-DALI-10V is a non-isolated signal converter translating .
- The DALI command into 0/1-10V dimming signal for LED driver with 0-10V & 1-10V dimming control.
- This design complies to IEC 62386 101, 103 , 207 DALI DT 5 standard protocol.
- It is a perfect solution to convert standard fixture to be controlled in DALI control environment.



### Product Feature

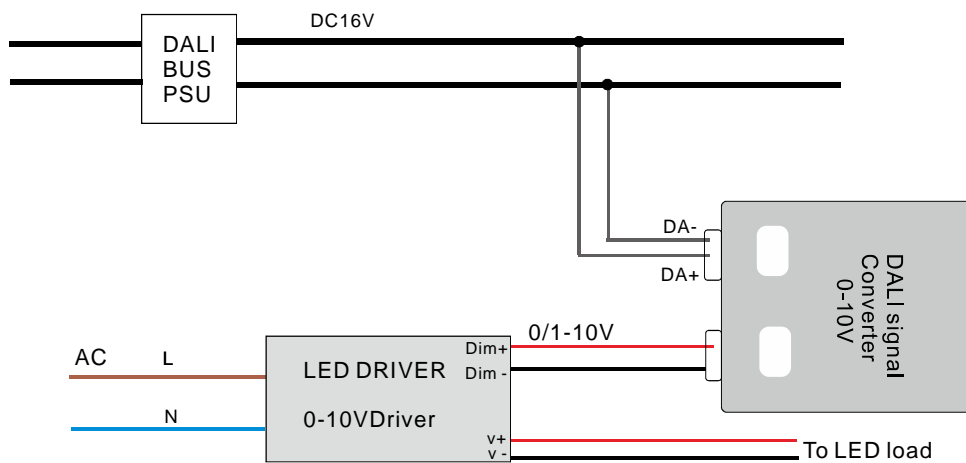
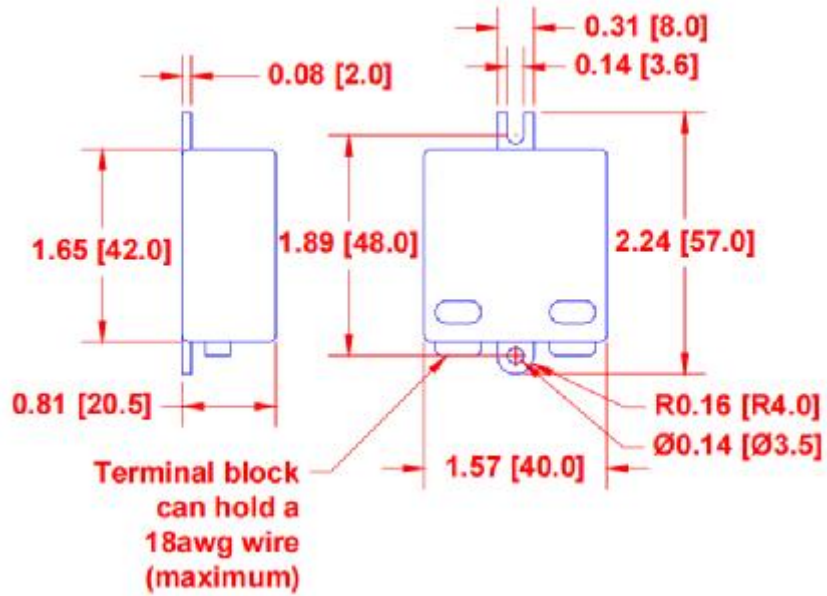
- Input Voltage : DC15-17V
- Input Current :  $\leq 2\text{mA}$  (0-10Vdc no load)
- Waterproof level IP 20
- DALI Input Current :  $< 2.5\text{mA}$
- Protections: Short circuit, over load, over current
- Comply with DALI protocol IEC 62386:101 103 209
- The dimming effect is smooth, no flicker, no jitter



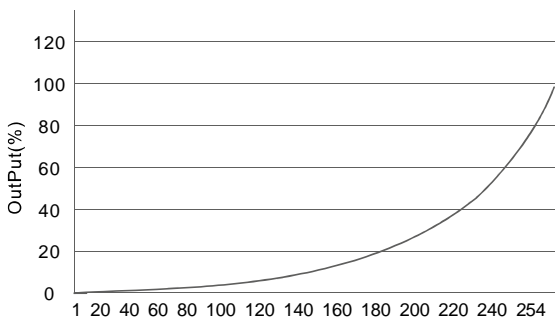
Model	KC-DALI-10V 【DT 5 to 0/1-10V】	
Input	Input Voltage	15-17VDC
	Input Current	$\leq 2\text{mA}$ (0-10Vdc no load)
	DALI Input Current	$< 2.5\text{mA}$
Output	Output Voltage	0/1-10VDC
	Output 0-10V SINK Current	$\leq 2\text{mA}$
	Output Tolerance	$\pm 5\%$
Environment Description	Working Temperature	-30 C- +60 C
	Working Humidity	20-90%RH (no condensation)
	Storage Temperatue&Humidity	(six months under class environment)20-90%RH (no condensation)
Safety and Electromagnetic Compatibility	Certification	CE Compliant
	Electromagnetic Emission	Conform to EN55015
Others	IP Rating	IP20
	RoHS	Fully compliant
	Warranty	2 years
	Implementation standrds of DALI	IEC 62386-101 103 207 DT5



Wiring Diagram



0-10V Dimming curve chart



※ The contents of this manual are updated without prior notice. If the function of the product you are using is inconsistent with the instructions, the function of the product shall prevail. Please contact us if you have any questions.