



SMART DIM CONTROLLER SERIES PRODUCTS

【KDD-DIM-L01】

	<h3 style="background-color: #00a651; color: white; padding: 5px;">Product Introduction:</h3> <ul style="list-style-type: none"> ● Approval: R&TTE ● Remote Distance: Max 20meters ● 5%-100% brightness control, 32 levels; ● On/off & Dimming function;can control max 5 different channels; ● Each channel can have no-limited receptor ● RF 433mHZ; Battery: CR2032 ● Learn-in function, one receptor only can be controlled by one sender, one sender can controlled no limited receptor. ● Multiple kind of receptors, constant current and constant current. AC switch receptor. PUSH signal and 0-10V signal
--	---

Remote control instructions

- CH: press to select the channel
- ON/OFF: press to ON or OFF one channel
- +: Brightness plus & -: brightness Minus

Remote Picture

SENDER SIZE:135 (L)X41(W)X19(H) mm

Encoder Instruction:

- Select the Channel in SENDER,(Via press CH, the LED will show the channel selected).
- Press the button in receptor. The Red indicator LED will flash.
- Press the B+ in Sender, the Receptor Red indicator LED will stop flash. LEARN IN finish.
- Repeater above process to learn different Channel: each channel can learn in unlimited receptor.



SMART DIM CONTROLLER SERIES PRODUCTS

【KDD-DIM-L01】

Compatible Receiver and Power Supply

AC Dimmer function



size:125x46x26mm 92g

- Model: KC-TRIAC-SMART
- Input Voltage /Output Voltage : AC110-220V
- Output Power :Max 250W/110V ; 500W/220V
- ON/OFF switch & Dimmer function
- ON/OFF 3 Time , light flicker. Enter the study state

AC switch function



size:112x37x20mm 60g

- Model: KC-300-SMART
- Input Voltage/Output Voltage : AC220-256V
- Output Power :Max 300W (ONLY ON/OFF switch function)
- ONLY ON/OFF switch function

Constant Current PWM Receiver - 350mA & 700mA



size:175X43X21mm 85g

- Model: KC-350-SMART
- Input Voltage/Output Voltage : DC 12V-36V
- Output current :Max 350mA/CH, Total: 2 ChannelsChannels
- Max power :12.5W/Channels Total: 25W
- ON/OFF switch & Dimmer function
- Model: KC-700-SMART
- Input Voltage/Output Voltage : DC 12V-36V
- Output current :Max 700mA/CH,Total: 2 Channels
- Max power :25W/Channels Total: 50W
- ON/OFF switch & Dimmer function



SMART DIM CONTROLLER SERIES PRODUCTS

【KDD-DIM-L01】

Constant Voltage PWM Receiver - 12V/24V



size:170X43X21mm 85g

- Model: KC-32-SMART
- Input Voltage /Output Voltage: DC 12V-24V
- Output current :Max 5A/CH, Total: 2 Channels
- Max power :120W/ 12V; 240W/ 24V
- ON/OFF switch & Dimmer function

0-10V signal controller - AC & DC



size:145X22X20mm 35g

- Model: KC-10-SMART-220V
- Input Voltage: 110-220VAC
- Output Voltage : 0-10Vx 2CH (0-10V signal)
- ON/OFF switch & Dimmer (Bicolor & single color) function
- If you want to achieve the function of color mixing, please cooperate with KDD-DIM-L07

- Model: KC-10-SMART
- Input Voltage: DC 12V/24V
- Output Voltage : 0-10Vx 3CH (0-10V signal)
- ON/OFF switch & Dimmer function

PUSH signal controller

RF remote control - single color and Bicolor



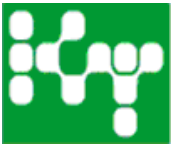
size:112x37x20mm 60g

- Model: KC-PUSH-SMART
- Input /Output Voltage: 110-220VAC
- Output Power: Max 300W
- ON/OFF switch & Dimmer function

- Model: KDD-DIM-L07
- Remote Distance: Max 20M
- 5%-100% brightness control, 32 levels;
- On/off & Dimming function;can control max 5 different channels:
- Two dimming modes: single color and Bicolor(by key)
- Each channel can have no-limited receptor
- Learn-in function, one receptor only can be controlled by one sender, one sender can controlled no limited receptor.
- Multiple kind of receptors, constant current and constant current. AC switch receptor. PUSH signal and 0-10V signal



size:86X86X10mm 60g

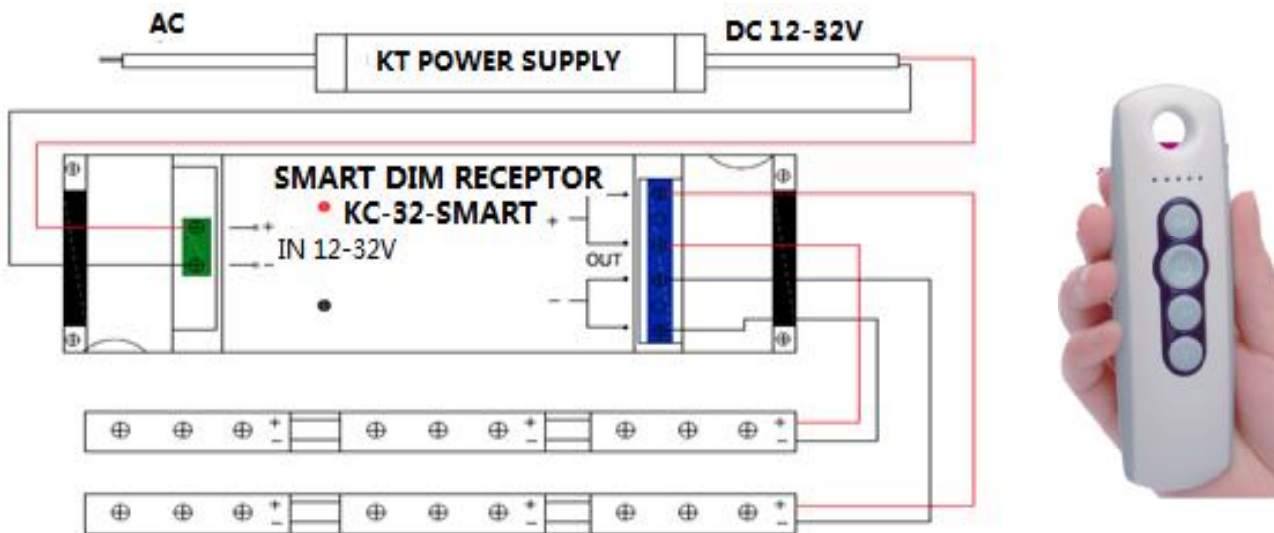


SMART DIM CONTROLLER SERIES PRODUCTS

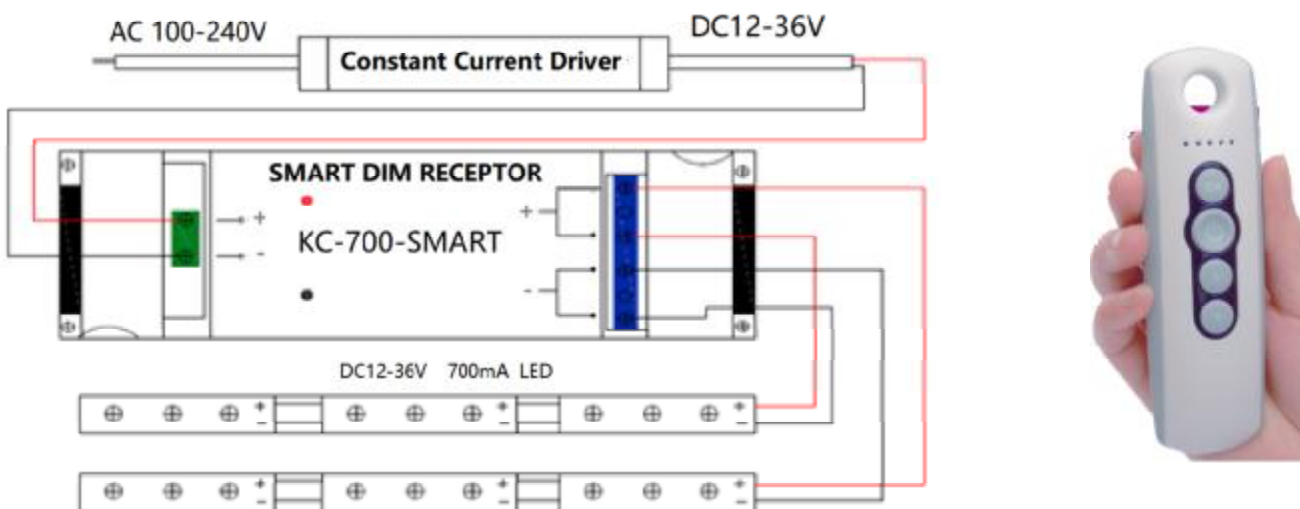
【KDD-DIM-L01】

Product connection diagram

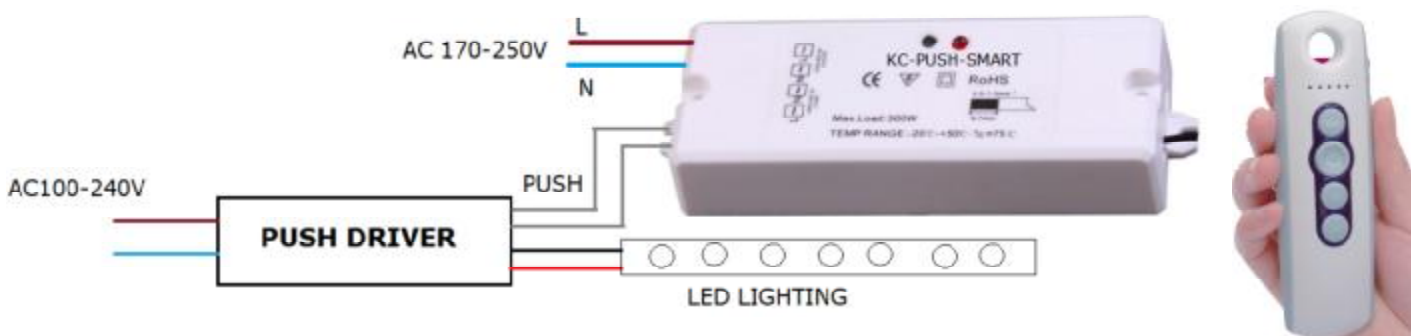
Constant Voltage PWM Receiver - 12V/24V



Constant Current PWM Receiver - 12V/24V



PUSH signal controller





SMART DIM CONTROLLER SERIES PRODUCTS

【KDD-DIM-L01】

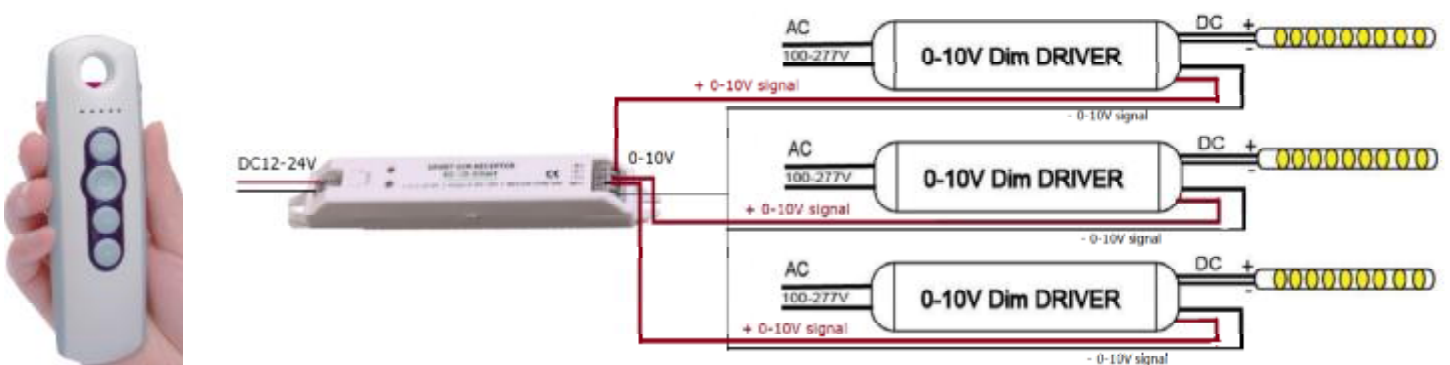
AC switch function



AC Dimmer function



0-10V Single color dimming function



0-10V Single color & Bicolor dimming function

